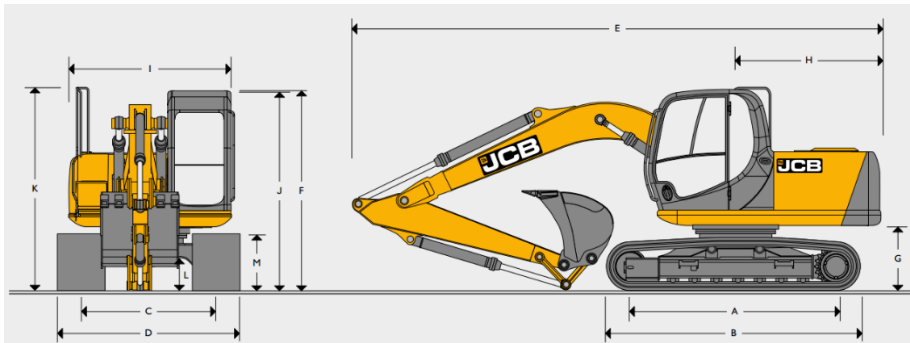




Static Dimensions



A	Track length on ground	mm	2865			
B	Undercarriage overall length	mm	3605			
C	Track gauge	mm	1990			
D	Width over tracks (500mm trackshoes)	mm	2490			
D	Width over tracks (600mm trackshoes)	mm	2590			
D	Width over tracks (700mm trackshoes)	mm	2690			
D	Width over tracks (850mm trackshoes)	mm	2840			
Arm lengths			2.1m	2.5m	2.7m	3.0m
E	Transport length	mm	7515	7478	7420	7300
F	Transport height	mm	2867	2867	3209	3289
G	Counterweight clearance*	mm	905			
H	Tail swing radius	mm	2135			
I	Width of superstructure	mm	2410			
J	Height over cab*	mm	2845			
K	Height over grab rail*	mm	2867			
L	Ground clearance*	mm	425			
M	Track height	mm	811			

Engine

Model	JCB EcoMAX 444 TCA 55 EU Stage IIIB, EPA Tier 4 Final compliant.
Type	Water cooled, 4-stroke, 4-cylinder in-line, common rail injection, turbocharged fixed geometry intercooled diesel.
Rated power (ISO 14396)	55 kW (74 hp) @ 1800 rpm
Piston displacement	4.4 litres.
Air filtration	Dry.
Starting system	24 volt.
Batteries	2 x 12 volt.
Alternator	24 volt 55 ampere.

Slew System

Slew motor	Axial piston type
Slew brake	Hydraulic braking plus automatic spring applied disc type parking brake.
Slew torque	36.2 kNm
Slew speed	13.3 rpm
Slew gear	Large diameter, internally toothed fully sealed grease bath lubricated.

Undercarriage

Recovery point	Front and rear.	
Upper & lower rollers	Heat treated, sealed and lubricated.	
Track adjustment	Grease cylinder type.	
Track type	Sealed and lubricated.	
Track idler	Sealed and lubricated, with spring cushioned recoil.	
Track shoes	500mm triple grouser	500mm GEOGRIP
	600mm triple grouser	500mm Rubber shoes
	700mm triple grouser	600mm Rubber shoes
	850mm triple grouser	
Rollers and Shoes (each side)		
Upper rollers	2	
Lower rollers	7	
Track shoes	44	

Track drive

Type	Fully hydrostatic, two speed with autoshift between high and low speed.
Travel motors	Variable swash axial piston type, fully guarded within undercarriage frame.
Final drive	Planetary reduction, bolt-on sprockets.
Servcie brake	Hydraulic counter balance valve.
Park brake	Disc type, spring applied, automatic hydraulic release.
Gradeability	70% (35 deg) continuous.
Travel speed	High - 6.6 km/h
	Low - 3.8 km/h
Tractive effort	101.9 kNm



Hydraulic system

Pumps	
Main pumps	2 variable displacement axial piston type.
Maximum flow	2 x 130 l/min.
Servo pump	Gear type.
Maximum flow	20 L/min.
Control valve	
A combined four and five spool control valve with auxiliary service spool as standard	
Relief valve settings	
Boom/Arm/Bucket	314 bar.
With power boost	343 bar.
Swing circuit	279 bar.
Travel circuit	343 bar.
Pilot control	40 bar.
Filtration	
In tank	150 micron, suction strainer.
Main return line	10 micron, glass fibre element.
Pilot line	10 micron, paper element.
Hydraulic hammer return	10 micron, reinforced microform element.

Service capacities

	Litres
Fuel tank	220
Engine coolant	19.7
Engine oil	14
Swing reduction gear	2.2
Track reduction gear (each side)	3.5
Hydraulic system	126
Hydraulic tank	73

Weights and ground bearing pressures

Shoe Width	Operating Weight	Bearing Pressure
Machine equipped with 4.7m Monoboom, 2.5m Dipper, 417kg Excavating Bucket, operator and full fuel tank.		
500mm	13661kg	0.44kg/sq.cm
600mm	13768kg	0.37kg/sq.cm
700mm	13876kg	0.32kg/sq.cm
850mm	14038kg	0.27kg/sq.cm

Bucket and arm combination

Bucket options	GP Bucket							Grade Bucket		
	mm	600	700	800	1000	1200	1300	1524	1836	1836
Bucket width	mm	600	700	800	1000	1200	1300	1524	1836	1836
Bucket capacity	m ³	0.35	0.42	0.50	0.66	0.81	0.89	0.65	0.79	0.79
Bucket weight	kg	286	312	335	383	428	454	452	512	581
2.10m Quickhitch (No Quickhitch)	☐ (☐)	☐ (☐)	☐ (☐)	☐ (☐)	■ (☐)	● (■)	● (■)	■ (☐)	● (■)	● (■)
2.50m Quickhitch (No Quickhitch)	☐ (☐)	☐ (☐)	☐ (☐)	☐ (☐)	■ (☐)	● (■)	● (●)	■ (■)	● (●)	● (●)
2.70m Quickhitch (No Quickhitch)	☐ (☐)	☐ (☐)	☐ (☐)	☐ (☐)	■ (■)	● (●)	✕ (●)	● (■)	● (●)	✕ (●)
3.00m Quickhitch (No Quickhitch)	☐ (☐)	☐ (☐)	☐ (☐)	☐ (☐)	● (■)	✕ (●)	✕ (●)	● (■)	✕ (●)	✕ (●)

☐ = Material weight up to 1800kg/m³.

● = Material weight up to 1500kg/m³.

■ = Material weight up to 1200kg/m³.

These recommendations are given as a guide based on typical operating conditions.

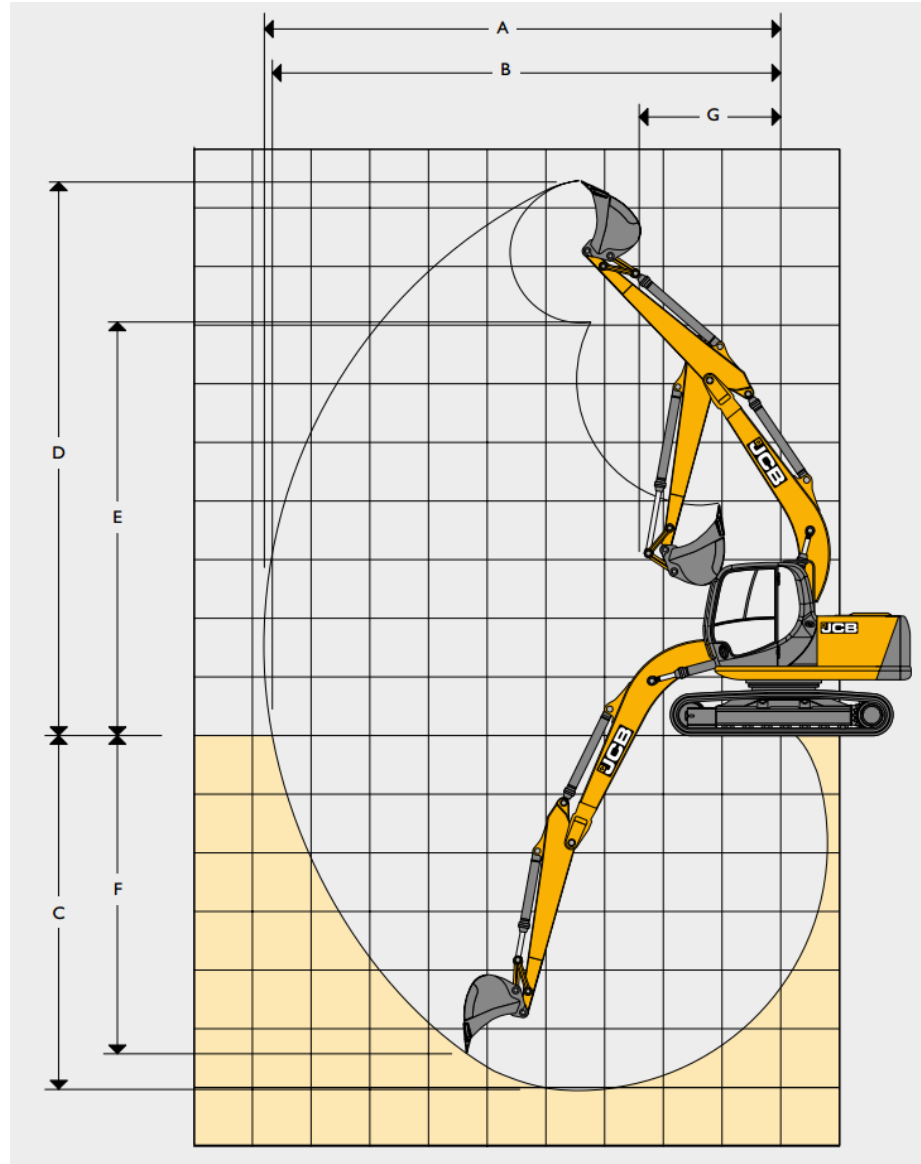
Please contact your distributor for the correct selection of buckets and attachments to suit the application.



Working Range

Dipper length:		2.1m	2.5m	2.7m	3.0m	
A	Maximum digging reach	mm	7517	8340	8522	8796
B	Maximum digging reach (on ground)	mm	7356	8197	8380	8660
C	Maximum digging depth	mm	4809	5530	5425	6028
D	Maximum digging height	mm	8375	9118	9242	9440
E	Maximum dumping height	mm	6115	6729	6855	7041
F	Maximum vertical wall cut depth	mm	3219	3625	3712	4050
G	Minimum swing radius	mm	2337	2231	2505	2591
	Bucket rotation	deg	182°	182°	182°	182°
	Maximum dipper tearout	kNm	72.5	64.6	63.2	58.7
	Maximum bucket tearout	kNm	91.9	91.9	91.9	91.9

Working Range





Lift Capacities – Dipper length: 2.1M, 4.70M monoboomb, trackshoes: 500mm, no bucket

Reach	3m		4m		5m		6m		Capacity at Max Reach		
Load Point Ht.	kg	kg	kg	kg	kg	kg	kg	kg	kg	kg	mm
6.0m					2840*	2840*			2530*	2530*	5653
5.0m			2720*	2720*	2720*	2820*	2950*	2440	2390*	2240	6326
4.0m			3150*	3150*	3040*	3040*	3000*	2380	2330*	1960	6785
3.0m	4660*	4660*	3830*	3830*	3410*	2970	3190*	2290	2320*	1800	7075
2.0m	6270*	5680	4620*	3820	3850*	2830	3150	2210	2380*	1710	7210
1.0m	7520*	5440	5330*	3640	3940	2710	3070	2130	2400	1670	7205
0m	8090*	5340	5290	3520	3840	2630	3000	2070	2430	1690	7060
- 1.0m	8130*	5290	5230	3470	3790	2580	2970	2040	2560	1770	6759
- 2.0m	7800*	5270	5210	3450	3770	2560	2970	2040	2810	1940	6287
- 3.0m	7110*	5280	5240	3480	3810	2590			3300	2270	5592

Lift Capacities – Dipper length: 3.00M, 4.70M monoboomb, trackshoes: 500mm, no bucket

Reach	3m		4m		5m		6m		Capacity at Max Reach		
Load Point Ht.	 kg	 kg	 kg	 kg	 kg	 kg	 kg	 kg	 kg	 kg	mm
6.0m					2540*	2540*	2520*	2460	2180*	2180*	6113
5.0m					2610*	2610*	2720*	2470	2070*	2010*	6741
4.0m			2960*	2960*	2890*	2890*	2840*	2430	2030*	1790	7175
3.0m	4460*	4460*	3710*	3710*	3310*	3140	3080*	2370	2040*	1660	7448
2.0m	6210*	6210*	4600*	4180	3820*	3010	3280	2290	2090*	1590	7578
1.0m	7640*	6060	5410*	3960	4210	2880	3200	2220	2190*	1570	7574
0m	7510*	5830	5770	3810	4100	2780	3140	2160	2300	1590	7434
- 1.0m	8610*	5740	5670	3720	4030	2720	3090	2120	2420	1670	7150
- 2.0m	8430*	5730	5640	3690	4000	2700	3080	2100	2650	1820	6704
- 3.0m	7880*	5780	5660	3710	4020	2710	3110	2130	3070*	2110	6060